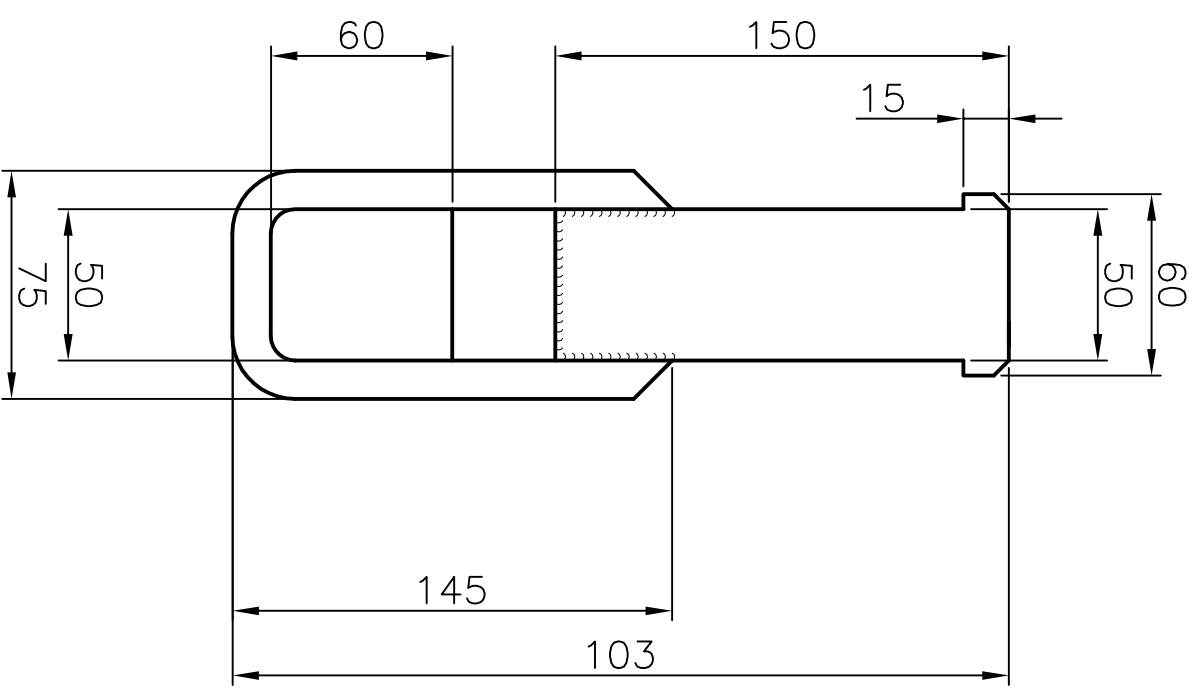
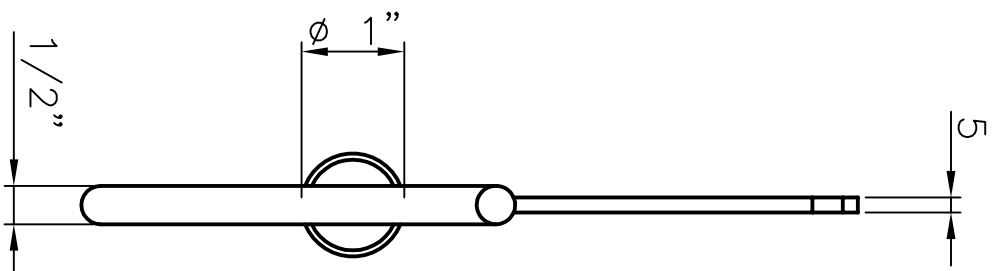


Detail frame (03)



04	2m	Tie	Innertube
03	1	Guidebox frame	100 x75
02	1	Inlet rope	PVC Ø 1" - 200 mm
01	.m	Rising main	PVC Ø 3/4 - .m
No	Count	Name	Dimensions

Date:	07-2007	Company:	Pumping = Life	Remarks:
Dimension:	mm	Engineer:	Arnold van de Kamp	
Main scale:	1:2.5	Layout:	part	No of Layouts: 3

Project:	Sungsum Veela (Walewale, Ghana)	Name:	Guidebox 3/4" (Bore hole)	Revision:	A
					A3