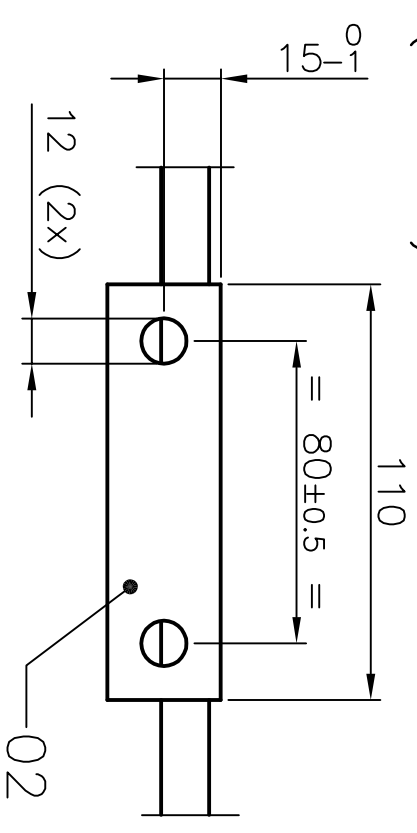
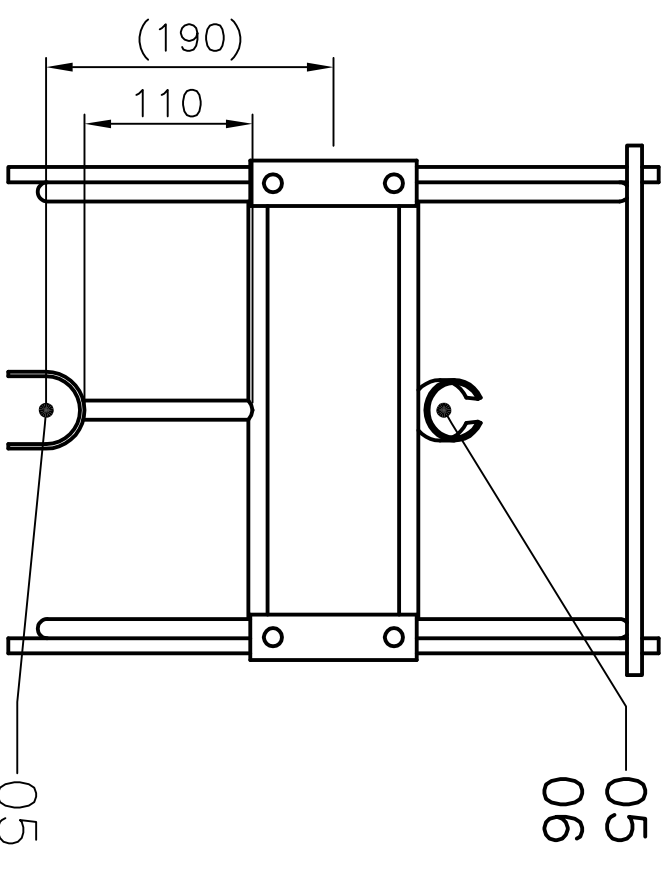


Detail Joint

(scale 1:2)



View P



No	Count	Name	Dimensions
08	1	Outlet guide	Flat bar 30x3 - 140 mm
07	1	Outlet guide	GI Pipe Ø1/2" - 105 mm
06	1	Inlet guide	GI Pipe Ø1 1/2" - 30mm
05	2	Reinforcement	GI Pipe Ø 1/2" - 275 mm
04	2	Reinforcement	Bar Ø 1/2" - 430
03	1	Reinforcement	Bar Ø 1/2" - 350
02	2	Joint	Angle 30 x 30 x 3 - 110 mm
01	4	Pole	GI-Pipe Ø 1/2" - 1000 mm

Date:	10-2007	Company:	Pumping = Life	Remarks:
Dimension:	mm [inch]	Engineer:	Arnold van de Kamp	
Main scale:	1:10	Layout:	assembly	No of Layouts: 1

Project:	Sungsum Veela (Walewale, Ghana)	Name:	Frame AB	Revision:	B
					A3